

## GDW-50N Brass Knob

### Features

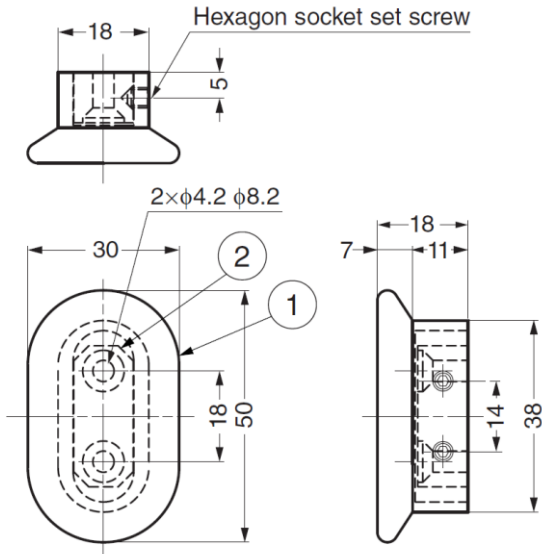
- Includes insert block and set screw for surface mounting

### Material

- Brass, satin chrome / plain finish

### Parts Included

- Countersunk head screw M4×20 (SUS)



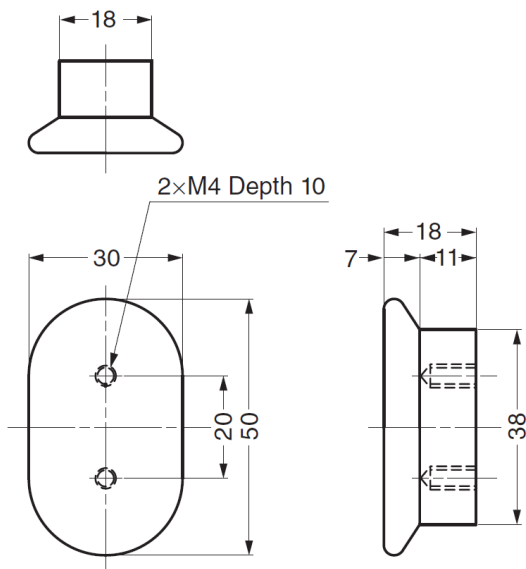
No.	Part Name	Finish
①	Body	Satin Chrome
②	Base	Plain

Part No.
<b>GDW-50N</b>

## GDW-50 Brass Knob

### Material

- Brass, satin chrome finish



Part No.
<b>GDW-50</b>